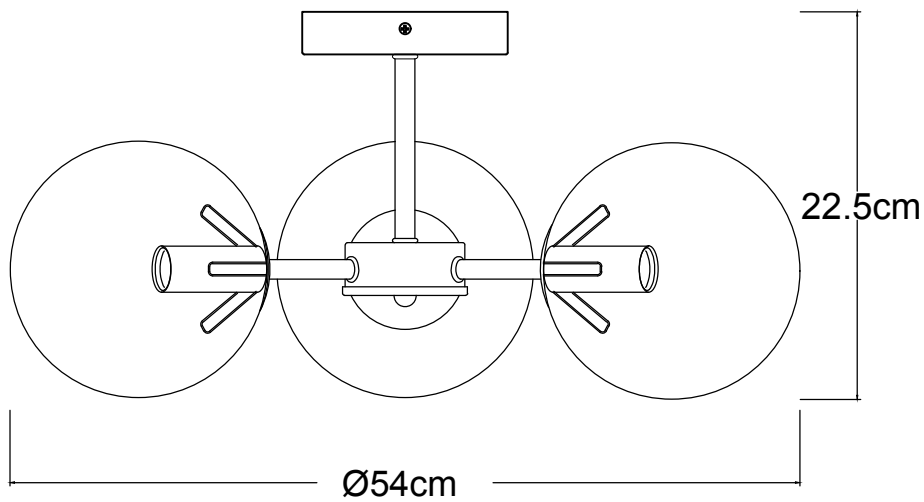


# IT'S ABOUT RoMi<sup>®</sup>

CITY LIGHTS  
↳ technical drawing & packing details

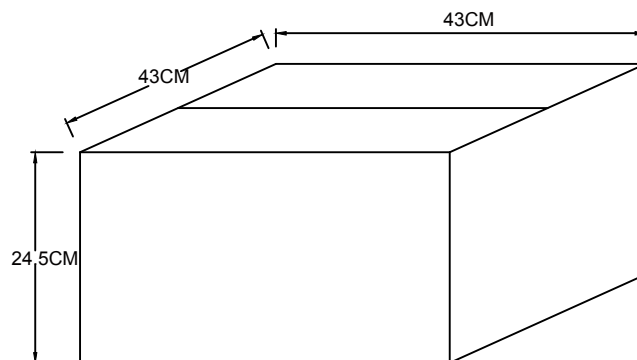
## ASPEN/CEILING LAMP(ASPEN/C3)



SIZE: Max.Height 22.5CM

3\*E14, MAX 40W

## PACKING DETAILS



BOX Sizes: 43\*43\*24.5CM

Total CBM: 0.045

G.W: 1.90 KGS

N.W: 1.07 KGS

NUMBER OF BOXES:1PCS